

# H340AJ

## HYBRID ARTICULATING BOOM LIFT



### Performance

Platform Height	33 ft 9 in.	10.28 m
Working Height	39 ft 9 in.	12.12 m
Horizontal Outreach	19 ft 11 in.	6.06 m
Up and Over Height	17 ft	5.17 m
Swing	355 Degrees Non-Continuous	
Platform Capacity	500 lb	227 kg
Platform Size	30 x 60 in.	0.76 x 1.52 m
Platform Rotator	180 Degrees Hydraulic	
Jib	4 ft	1.22 m
Range of Articulation	144 degrees (+84, -60)	
Weight	9,860 lb	4,472 kg
Max. Ground Bearing Pressure (with Pneumatic Tires)	52 psi	3.65 kg/cm <sup>2</sup>
Drive Speed	3.7 mph	5.95 km/hr
Gradeability	45%	
Turning Radius		
Inside	5 ft	1.52 m
Outside	13 ft	3.96 m

### Standard Specifications

#### Power

Diesel Engine		
Kubota Z482	11.1 hp	8.3 kW
Fuel Tank Capacity	13 gal.	49.2 L
Batteries	8 x 12V	100 AH

#### Tires

Standard	Lug Tread Pneumatic
----------	---------------------

#### Hydraulic System

Tank Capacity	5 gal.	18.92 L
Auxiliary Power	12V DC	

### Standard Features

- 4 ft (1.22 m) Articulating Jib
- 355 Degree Non-Continuous Swing
- Platform 30 x 60 in. (0.76 x 1.52 m) Side Entry
- 180 Degree Hydraulic Platform Rotator
- Platform Console Machine Status Light Panel\*
- 110V-AC Receptacle in Platform
- 5 Degree Tilt Alarm/Indicator Light
- 9 x 20 Lug Tread Pneumatic Tires
- Swing-Out Engine Tray
- Gull-Wing Steel Turntable Hoods
- 12V-DC Auxiliary Power
- Hourmeter
- Proportional Controls
- Control ADE® System
- Lifting/Tie Down Lugs
- Horn
- Oscillating Axle
- Cast Aluminum Control Box
- All Motion Alarm

\* Provides indicator lights at platform control console for system distress, low fuel, 5 degree tilt light, and foot switch status.



- **Environmentally Friendly** — A smaller diesel engine with a "direct electric drive system" means less fuel consumption, less noise and less environmental impact.
- **Power and Performance** — Four separate drive motors provide four-wheel drive and terrainability that meets or exceeds the performance of comparable diesel models.
- **More access** — The articulating jib gets you in those hard-to-reach places.
- **Greater Strength** — Steel hoods provide added durability.

### Accessories & Options

- 30 x 48 in. (0.76 x 1.22 m) Platform
- Mesh to Top Rail (Bolt-on Aluminum)
- 1/2 in. Air Line to Platform
- 9 x 20 Foam-Filled Lug Tires
- 9 x 20 Non-Marking Pneumatic Tires
- 9 x 20 Non-Marking Foam-Filled Tires
- 7 x 18 Solid Cushion Lug Tread Tires
- 7 x 18 Non-marking Solid Cushion Lug
- Tread Tires
- AC Generator
- Chassis Illumination Lights
- Platform Worklights
- Hostile Environment Kit
- Flashing Amber Beacon
- Special Hydraulic Oils
- Self Closing Gate

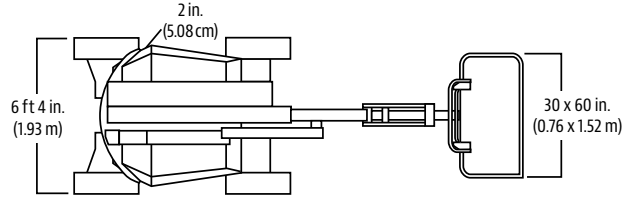
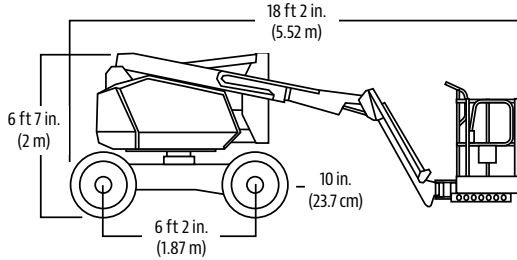
# H340AJ

HYBRID ARTICULATING BOOM LIFT

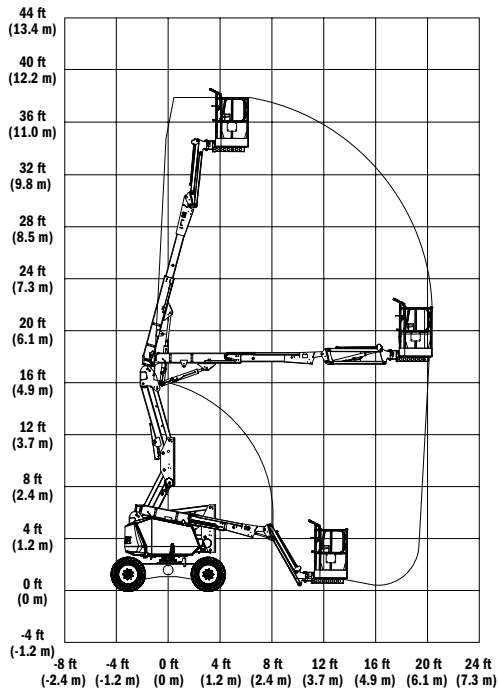


## Dimensions

All dimensions are approximate.



## Reach Diagram



## The JLG "1 & 5" Warranty

JLG Industries, Inc. backs its products with its exclusive "1 & 5" Warranty. We provide coverage on all products for one (1) full year, and cover all specified major structural components for five (5) years. Due to continuous product improvements, we reserve the right to make specification and/or equipment changes without prior notification. This machine meets or exceeds applicable OSHA Regulations in 29 CFR 1910.67, 29 CFR 1926.453, ANSI A92.5-2006, and CSA Standard CAN3-B354.2-M82, as originally manufactured for intended applications.

Part No.: 3131122  
R021502  
Printed in USA



**JLG Industries, Inc.**  
1 JLG Drive  
McConnellsburg, PA 17233-9533  
Telephone 717-485-5161  
Toll-free in US 877-JLG-LIFT  
Fax 717-485-6417  
[www.jlg.com](http://www.jlg.com)

**An Oshkosh Corporation Company**